

Serial vs. Parallel Read

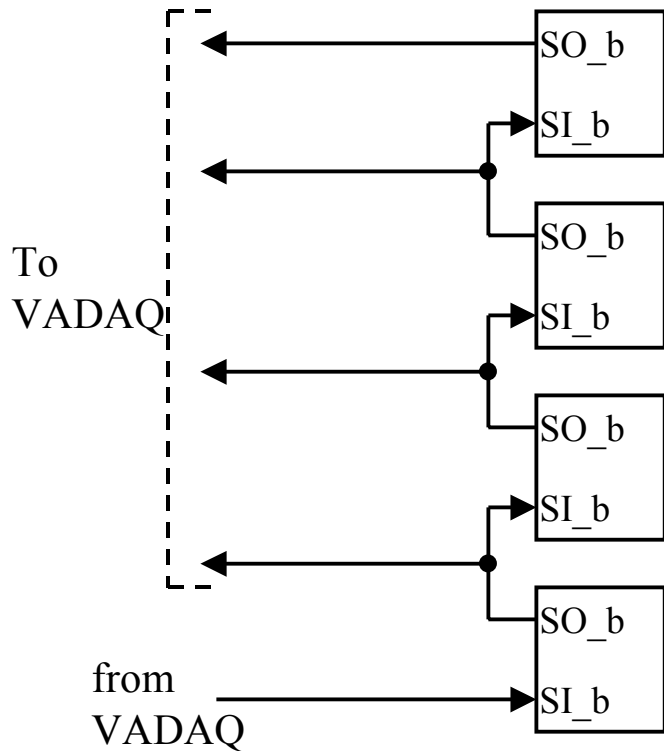


Fig. A Serial read scheme (old)

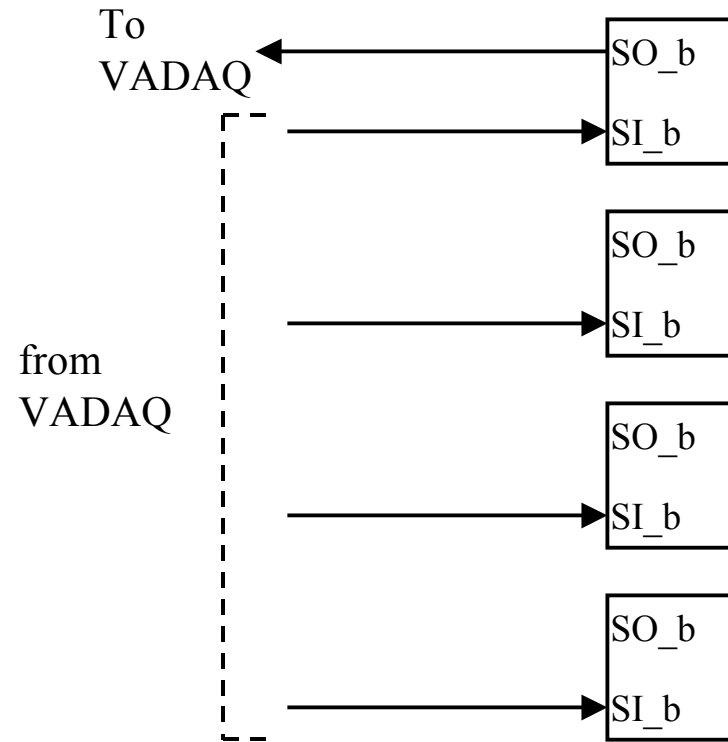


Fig. B Parallel read scheme

Quick & Dirty Parallel Read

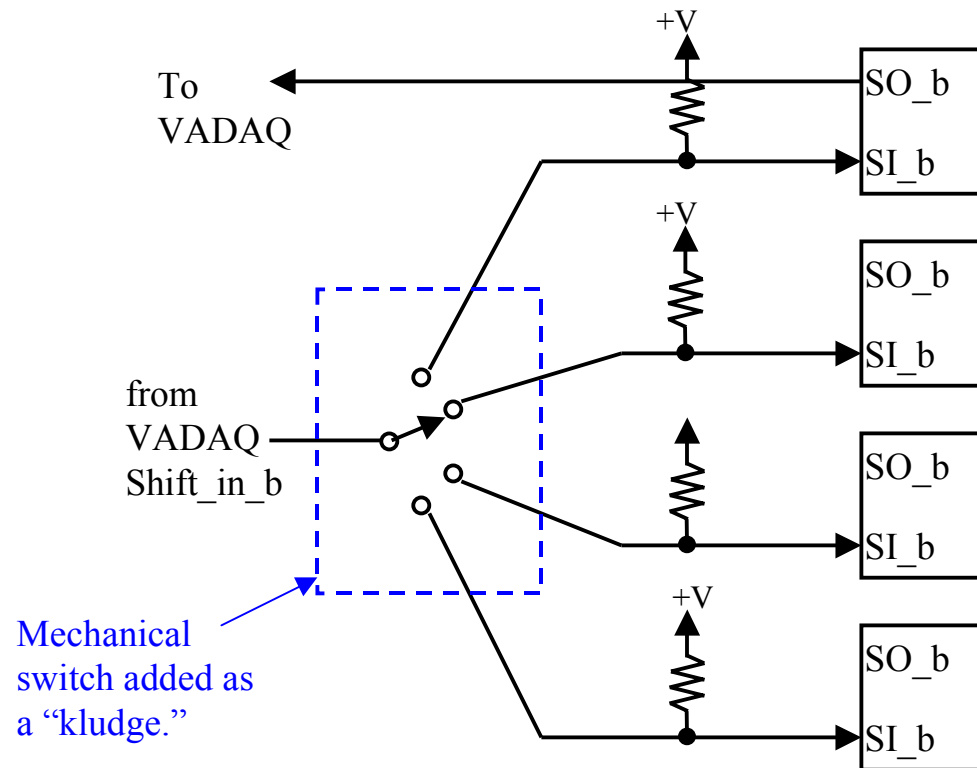


Fig. C